

# Lucy

Chair/Seating for receiving bariatric patients  
in health care environment



STOOLS

Frequent Usage

- » Domiciliary
- » Outpatient clinic
- » Specialistics
- » Medical Office
- » Residential aged



FEATURES &  
**STABILITY**

Chair/Seating for bariatric patients



[www.gardhenbalance.it](http://www.gardhenbalance.it)



## Lucy

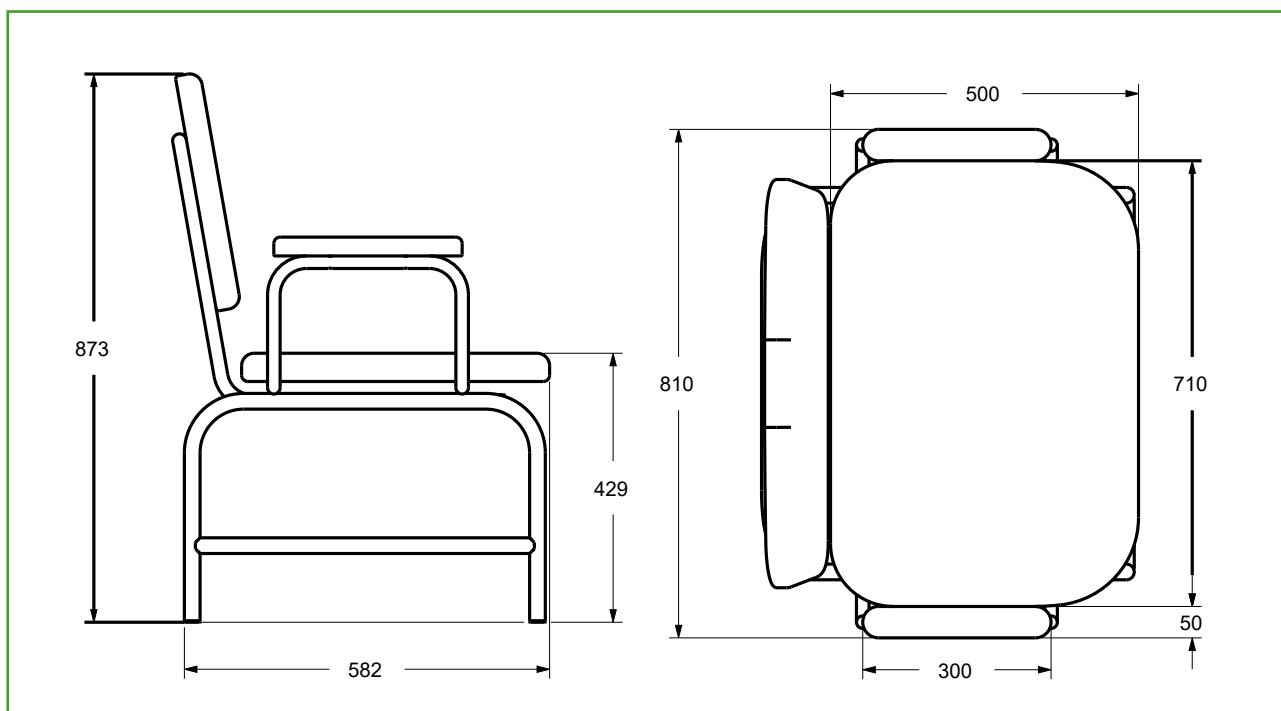
### Features

- Bariatric armchair made of tubular stainless steel or painted steel with thermosetting epoxy powders
- Seating 71 x 50 cm
- Seat height 42.9 cm
- Padded armrests width 5 cm, length 30 cm
- 4 non-slip feet
- Washable upholstery, fire retardant class 11M, antifungal, environmentally friendly, latex free/phthalate free - Equipment code AC87/1





## Dimensional



### Do you want to change the color of the coating?

Frame or click the QR codes and find out how to customize your device by browsing our color cards\*.

\*If no preference is expressed, the device will be supplied with the available color.



## Technical Sheet

CND and EMDN	V080299
gmdn	38448
Basic UDI-DI	805771740POLPE
No. progressive/R	2543492/R
ID Product	GB0421.BS - Stainless Steel GB0421.BP - Painted Steel
Intended Use	Chair for bariatric patients
Max load capacity	300 kg

[www.gardhenbalance.it](http://www.gardhenbalance.it)



### Gardhen Balance S.r.l

Via G. Luraghi c/o Consorzio Il Sole - lotto S - 80038

Pomigliano d'Arco (NA) - Italy

Tel. +39.081.8692160 pbx - Fax +39.081.8692460

Email: [info@gardhenbalance.it](mailto:info@gardhenbalance.it)

PEC: [gardhenbalance@pec.it](mailto:gardhenbalance@pec.it)

Images reproduced in this sheet are for reference only and dimensional values are nominal. It is the manufacturer's right to make changes to designs without prior notice. In case of discrepant data, the content of commercial proposals shall prevail.

Dep. EN 380 rev. 14/05/2024